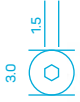













# Self tapping screws and screwdrivers, drill bits and DCP Load/Neutral guides

Self tapping Locking Screw - Diameter (mm)

| Thread Diameter                             | 1.0   | 1.5   | 2.0  | 2.4   | 2.7   | 3.5   | 4.5  |   |
|---|---|---|--|---|---|---|--|---|
| Drill bit for threaded hole                 |  |  |  |  |  |  |  |   |
| DCP Load/Neutral guide for drill bit        | ---   | DCP Guide 1.5 mm  | DCP Guide 2.0 mm   | DCP Guide 2.4 mm  | DCP Guide 2.7 mm  | DCP Guide 3.5 mm  | ---  |   |
| Screwdriver type for the self tapping screw | ---   | Hex screwdriver 1.5 mm - for 1.5 / 2.0 / 2.4 mm screws                              |  |   |   |   | Hex screwdriver 2.5 mm - for 2.7 / 3.5mm screws                                  | Hex screwdriver 3.5 mm - for 4.5 screws |

Self tapping Locking Titanium Screw - Diameter (mm)

| Thread Diameter                             | 1.5   | 2.0   | 2.4  | 2.7   | 3.5   |
|---|---|---|--|---|---|
| Drill bit for threaded hole                 |  |  |  |  |  |
| Locking drill guide                         | 1.5 mm  | 2.0 mm  | 2.4 mm   | 2.7 mm  | 3.5 mm  |
| Screwdriver type for the self tapping screw | T4 - 1.5 mm   | T6 - 2.0 mm   | T8 - 2.4 / 2.7 mm  | T15 - 3.5 mm  | ---   |